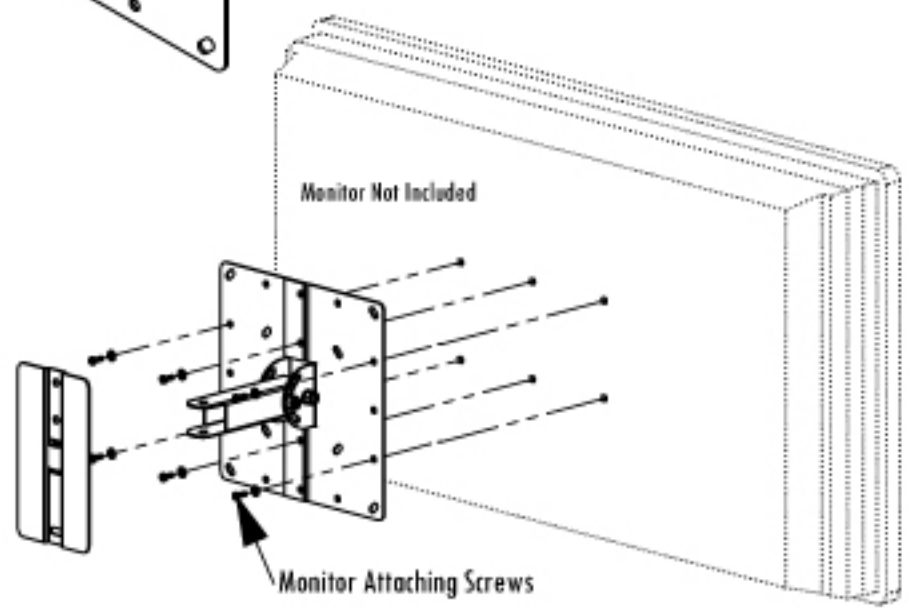
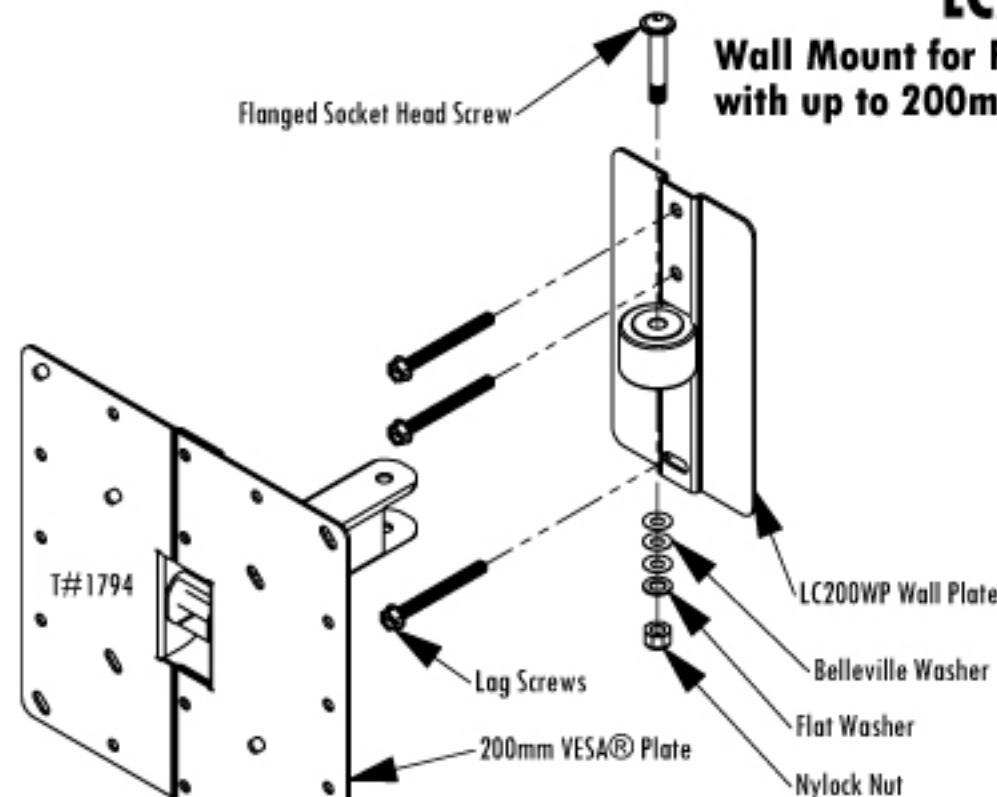


LC200WP

Wall Mount for Flat Panel Screens up to 32" with up to 200mm VESA® Mounting Patterns



Determine which type of monitor attaching hardware is required for the monitor as specified by the monitor manufacturer. Various sizes of monitor attaching screws are provided for convenience (See the Hardware List below)

Wood Lag Screws are provided for wood stud installations. For concrete or metal studs, use the WMAAB3, concrete anchor bolt kit, or WMATB3, toggler bolt kit, and follow the instructions specific to these fasteners.

1. Remove the Flanged Socket Head Screw from the LC200WP Wall Plate. Keep the Washers and Nuts oriented the same for re-assembly.
2. Find a wood stud in the wall. Determine the best possible viewing location for the monitor. Making sure the LC200WP Wall Plate is level, use it as a template to mark and drill three 1/8" pilot holes, 2-3/4" deep.
3. Attach the LC200WP Wall Plate to the wall using the provided Lag Screws.
4. Attach the 200mm VESA® Plate to the Monitor using hardware specified by the monitor manufacturer. Additional washers and setscrews have been provided when additional spacers are needed between the monitor and the 200mm VESA® Plate.
5. Attach the LC200WP Wall Arm with attached monitor to the LC200WP Wall Plate with the hardware removed in step 1.
6. Check the mount for stability and make sure all the fasteners are secure.
7. Adjust the tension on the swivel and tilt to keep the monitor in the desired viewing position.
8. If the screen is not level, loosen the Monitor Attaching Screws, adjust the monitor and re-tighten the screws.

Assembly Hardware

5/16-18 x 1-7/8" Flanged SHC Screw ... 1	1/4" Belleville Washer ... 4
5/16-18 x 2" Button Head Screw ... 1	5/16" Belleville Washer ... 5
1/4-20 x 2" Button Head Screw ... 1	5/16" Flat Washer ... 2
1/4-20 Nylock Nut ... 1	5/16-18 Nylock Nut ... 2
1/4" Flat Washer ... 2	

Hardware Kit

#14 x 2-1/2" HWH Lag Screw ... 3	6mm x 12mm Phillips Screws ... 6
4mm x 25mm Set Screws ... 6	4mm Hex Nuts ... 12
5mm x 30mm Set Screws ... 6	5mm Hex Nuts ... 12
6mm x 30mm Set Screws ... 6	6mm Hex Nuts ... 12
4mm x 12mm Phillips Screws ... 6	5mm Flat Washers ... 36
5mm x 12mm Phillips Screws ... 6	1/4" Flat Washers ... 18