

Prime Resource Grip-N-Lift™ TV Lift Systems

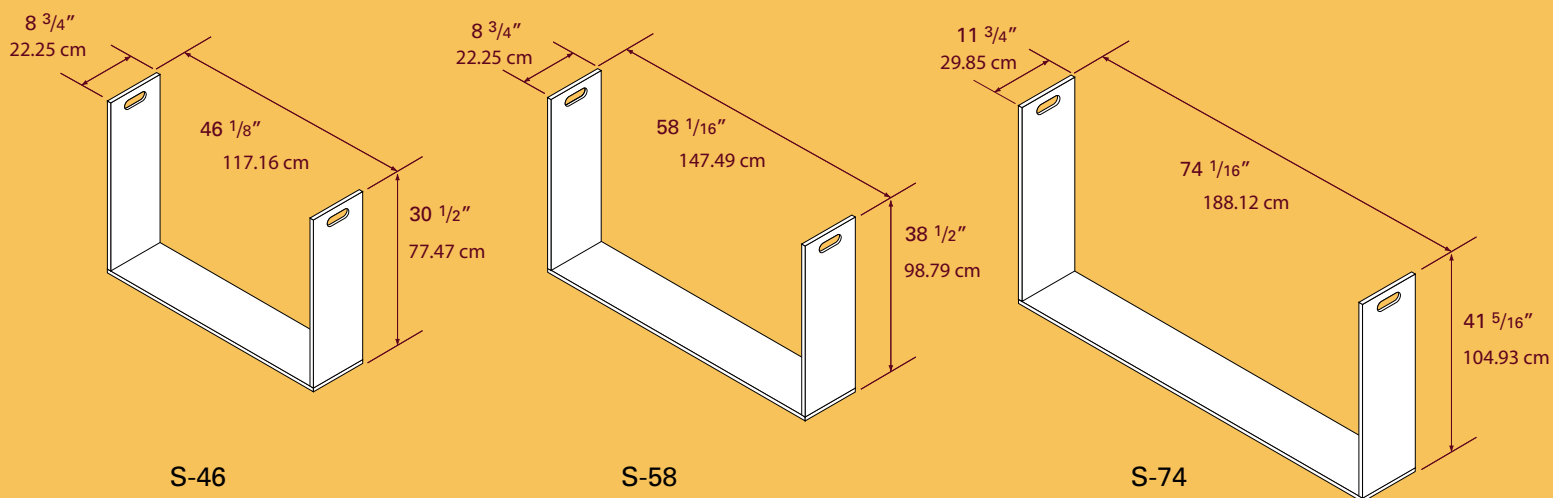
Our Grip-N-Lift™ system is built in our factory and fully tested prior to shipment. Whether purchased for OEM, Hospitality or the Custom Audio Video Market you can be sure that the Grip-N-Lift™ system can be installed in minutes and will function properly. The Grip-N-Lift™ also carries our full service warranty, ensuring that Prime Resource will handle all customer service issues promptly and professionally.

The Grip-N-Lift™ comes in three sizes. Just choose the size that best accommodates your case goods design. Our basic warranty is included with all models and we provide technical support to help answer any questions you may have.



The Modena Fresca case goods design by Prime Resource utilizes the S-54 Grip-N-Lift™ system with RF remote control

Grip-N-Lift™ Assembly - External Dimensions



Grip-N-Lift™

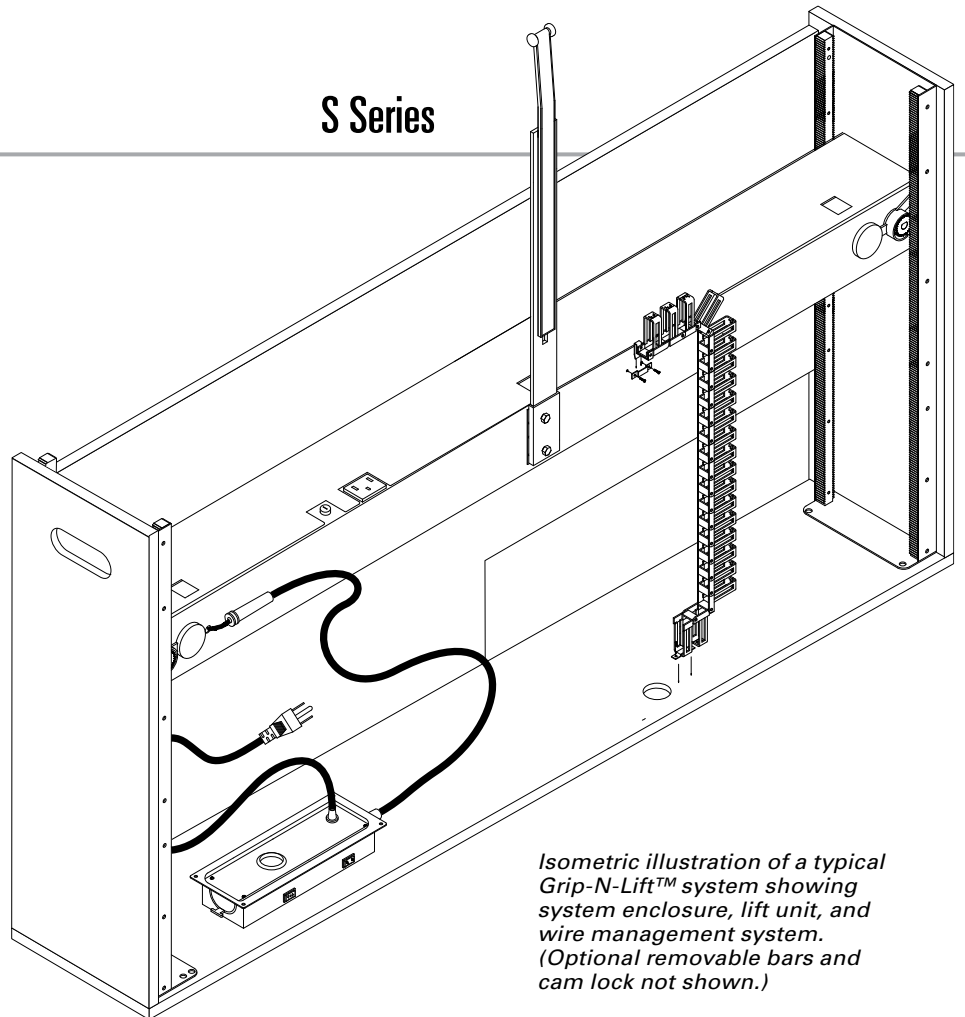
Data Sheet

S Series

- **Factory Tested**
- **Easy Installation**
- **2 Year Factory Warranty**

S Series Specifications

- Fused Overcurrent Protection
- Thermal Protection (Motor)
- Radio Frequency Remote Control
- Hardwired Control Switch
- Wire Management System
- Universal Mounting Bracket
- 120v Switched Outlet (TV)



Isometric illustration of a typical Grip-N-Lift™ system showing system enclosure, lift unit, and wire management system. (Optional removable bars and cam lock not shown.)

Valued Added Items

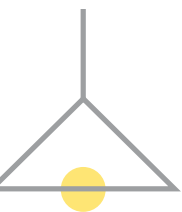
- **External Control Box**
Features infrared remote control, auxiliary contact closure, and voltage sensitive trigger
- IR Repeater
- Cooling System

All Units Can Be Ordered With Removable Bars And Cam Lock System

Our patent-pending Grip-N-Lift™ system will allow for easy installation into any properly sized cavity. The actual installation time takes under ten minutes. The lift itself is tested and run at the factory and will work within its own casing. This will allow the end user to build their "Dream Cabinet or Furniture" and be sure that installation of the lift will be worry free.

Our Grip-N-Lift™ housing mechanism is less than 5 inches tall with lengths and widths that vary, depending on the model chosen. All of the components, motor, control board, etc. are neatly stored inside the metal housing. This design allows for minimal intrusion into the furniture in which it is installed, and provides for easy access when servicing the lift. The lift itself is supported by a gear and rail system utilizing four gears and rails to guard against failure. Our gears and rails are synthetic, ensuring a quiet ride measuring under 70 decibels. This gear and rail system also provides stability and a smooth, safe ride to protect your television.

The Grip-N-Lift™ mechanism can be ordered with or without the removable bars and cam lock system. We will also be happy to help you determine the best Grip-N-Lift™ size, as well as help you determine which available features will best fit your customers' needs.



Prime Resource

Innovators of Audio / Video Entertainment Systems

1175 Chess Drive, Suite #204 • Foster City, CA 94404-1108
Phone: 650.574.7722 • Toll Free: 888.574.7830 • Fax: 650.574.8494
www.primeresource.biz