



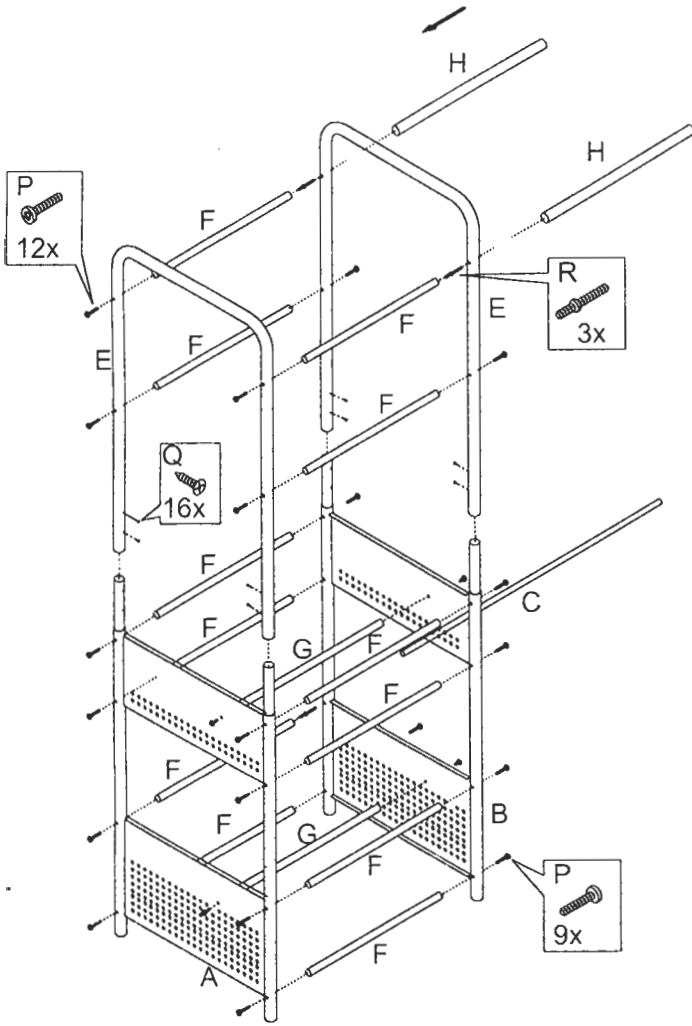
SOUTHERN ENTERPRISES INC.

SEI# BE064300TX

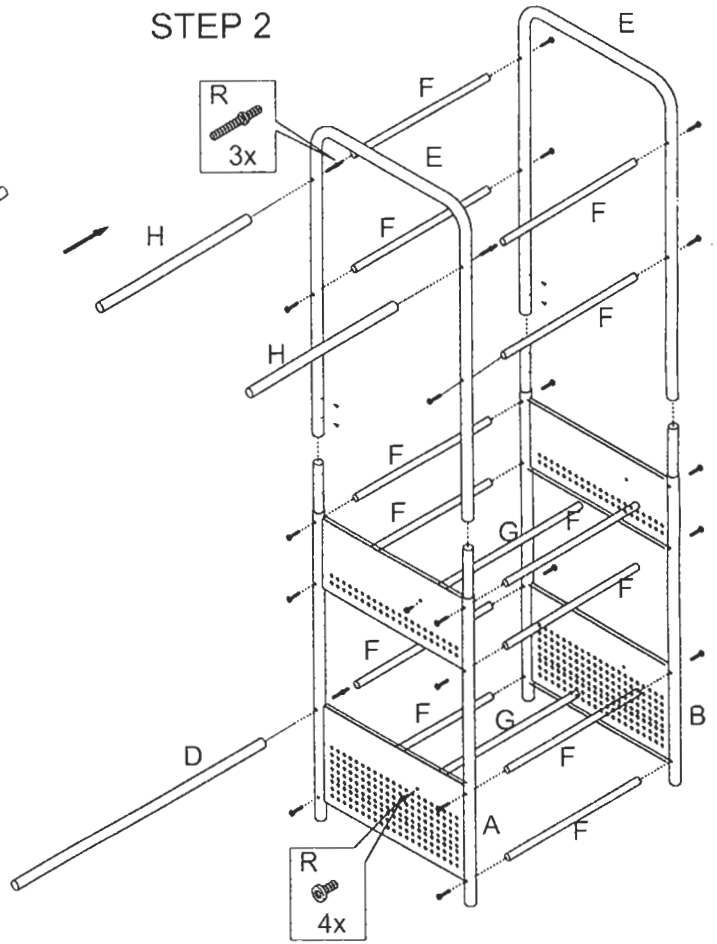
MULTIFUNCTION ENTERTAINMENT CENTER

(ASSEMBLY INSTRUCTIONS)

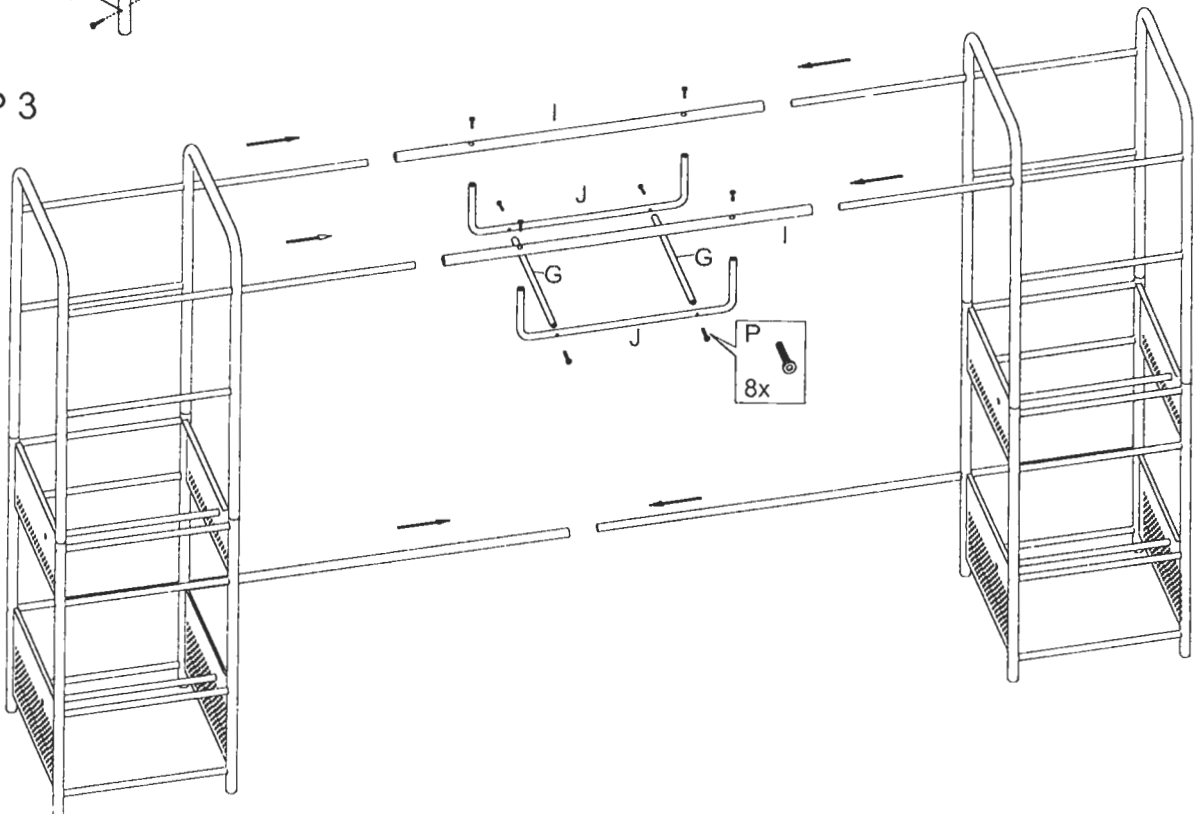
STEP 1



STEP 2



STEP 3





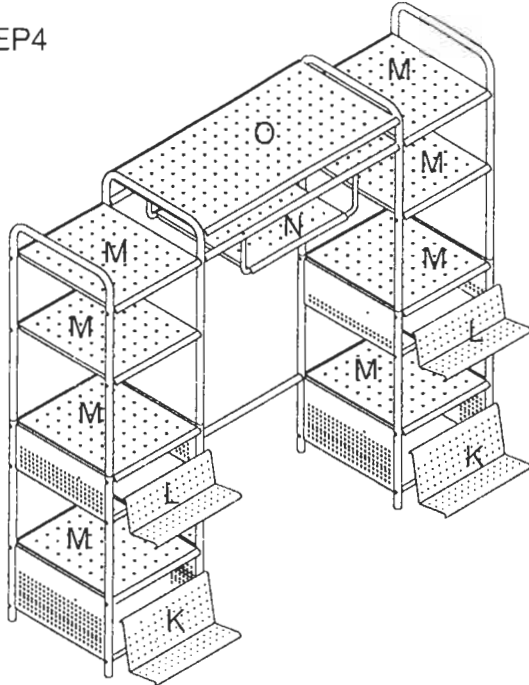
SOUTHERN ENTERPRISES INC.

SEI# BE064300TX

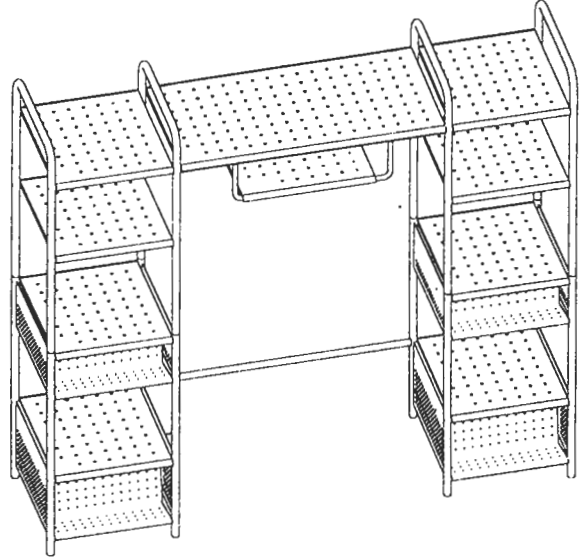
MULTIFUNCTION ENTERTAINMENT CENTER

(ASSEMBLY INSTRUCTIONS)

STEP4



COMPLETE UNIT



NO.	DESCRIPTION	Q'TY	NO.	DESCRIPTION	Q'TY	NO.	DESCRIPTION	Q'TY
A		1	H		4	N		1
B		1	I		2	O		1
C		1	J		2	P		50
D		1	K		2	Q		16
E		4	L		2	R		6
F		24	M		8	S		8
G		6				T		1

Please count, identify and compare parts and hardware list to be sure all parts are present. It may help to divide parts and label them to correspond with part list. Extra hardware may be included. If any items are missing, please contact our parts/service department at (800) 633-5096 or in Dallas (972) 869-0111/ 9am - 4pm Mon-Fri Central time. Missing or damaged hardware and/ or parts will be replaced free of charge. WE DO NOT SELL PARTS. WE DO NOT RECOMMEND MODIFYING PRODUCT(S) AND WE ARE NOT RESPONSIBLE FOR ANY DAMAGES DUE TO PRODUCT MODIFICATION(S). If this product has not been purchased from our retail affiliates (within 9 months), we are under no obligation to provide parts or replacement merchandise. Parts will not be available for items arrived fully assembled.

PARTS REPLACEMENT FORM

Style No. BE064300TX
Customers Name _____

PARTS LETTER PART DESCRIPTION QUANTITY NEEDED

Street, City, State, Zip _____

Phone# _____

Please indicate where you purchased this item.
Store/website/catalog _____



SOUTHERN ENTERPRISES INC
P.O. Box 59996 Dallas, Texas 75229

Please indicate /color/ size/style number.
_____/_____/_____